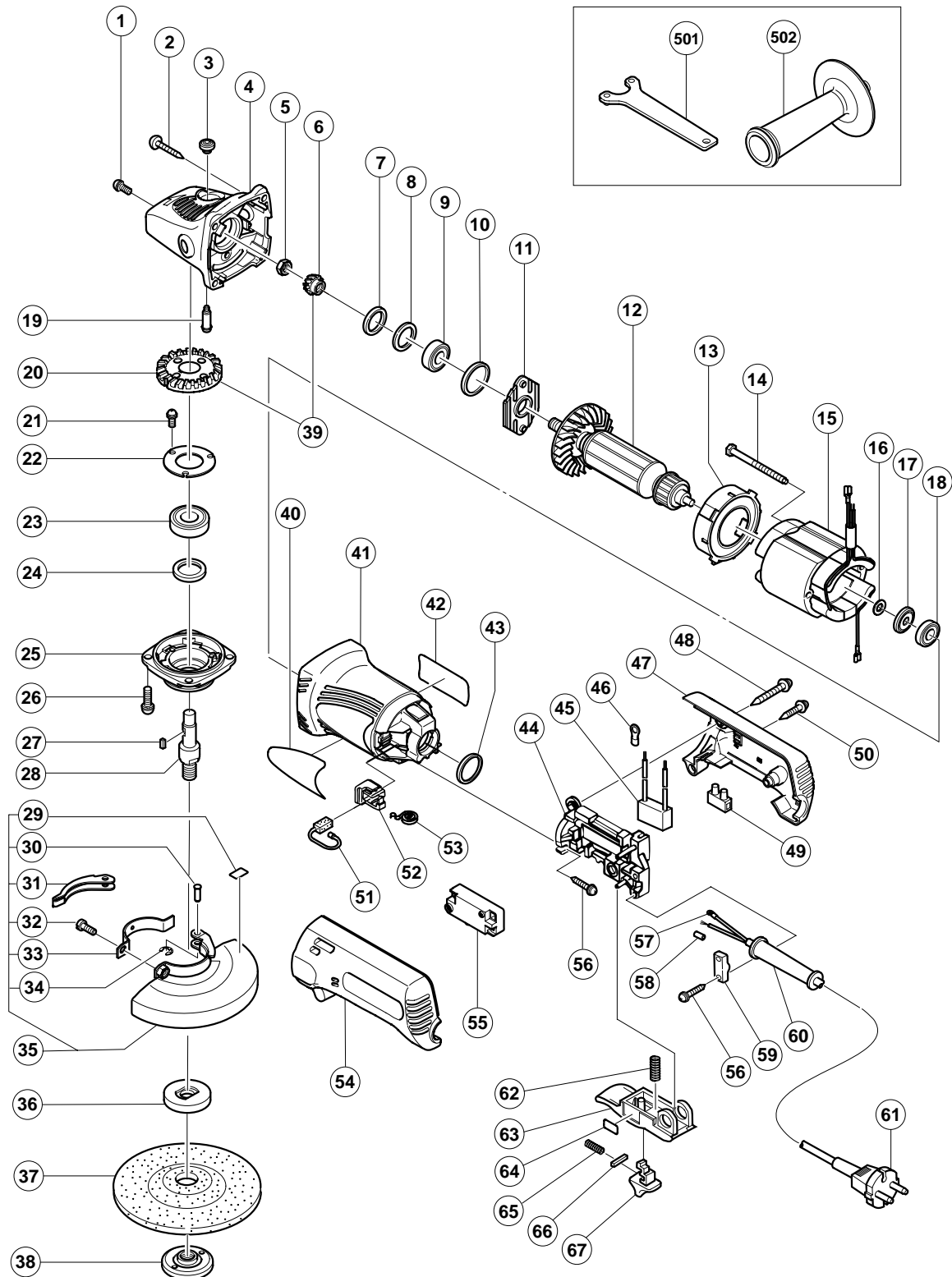


ELECTRIC TOOL PARTS LIST

DISC GRINDER Model G 12SE2

2003 • 7 • 25
(E2)



PARTS

G 12SE2

ITEM NO.	CODE NO.	DESCRIPTION	NO. USED	REMARKS	
1	303-255	SEAL LOCK SCREW (W/SP. WASHER) M4X10	2		
2	320-523	TAPPING SCREW D5X25 (BLACK)	4		
3	301-944	PUSHING BUTTON	1		
4	321-737	GEAR COVER ASS'Y	1	INCLUD. 3, 19	
5	949-558	NUT M8 (10 PCS.)	1		
6	308-541	PINION	1		
7	308-543	SEAL RING (A)	1		
8	980-866	WASHER (C)	1		
9	629-T12	BALL BEARING 629T12DDC3PS2-L	1		
10	957-754	RUBBER RING	1		
11	321-734	BEARING COVER	1		
*	12	360-603U	ARMATURE ASS'Y 110V-120V	1	INCLUD. 9, 16-18
*	12	360-619E	ARMATURE 230V	1	
*	12	360-603E	ARMATURE 230V-240V	1	FOR NZL, AUS
13	321-732	FAN GUIDE	1		
14	982-021	HEX. HD. TAPPING SCREW D4X70	2		
*	15	340-551C	STATOR 110V	1	
*	15	340-551D	STATOR 120V	1	
*	15	340-551E	STATOR 230V	1	
*	15	340-551F	STATOR 240V	1	
*	16	311-737	THRUST WASHER	1	EXCEPT FOR NZL, AUS
*	17	311-435	DUST SEAL (A)	1	
*	17	315-877	DUST SEAL	1	FOR NZL, AUS
18	608-VVM	BALL BEARING 608VVC2PS2L	1		
19	301-943	LOCK PIN	1		
20	321-736	GEAR	1		
21	991-207	SEAL LOCK SCREW (W/SP. WASHER) M4X8	3		
22	936-680	BEARING COVER (B)	1		
23	620-1DD	BALL BEARING 6201DDCMPS2L	1		
24	308-546	FELT PACKING	1		
25	308-545	PACKING GLAND	1		
26	307-046	SEAL LOCK SCREW (W/SP. WASHER) M5X16	4		
27	944-109	FEATHER KEY 3X3X8	1		
*	28	994-301	SPINDLE (A)	1	
*	28	994-302	SPINDLE (B)	1	FOR USA, CAN
29	311-492	LABEL	1		
30	311-744	SET PIN	1		
31	311-743	LEVER	1		
32	880-734	MACHINE SCREW (W/WASHERS) M5X25 (BLACK)	1		
33	311-491	SET PIECE (B)	1		
34	874-759	RETAINING RING (E-TYPE) FOR D2.5 SHAFT	1		
35	311-745	WHEEL GUARD ASS'Y (TOOLLESS TYPE)	1	INCLUD. 29-34	
*	36	937-817Z	WHEEL WASHER	1	
*	36	937-928Z	WHEEL WASHER (A) FOR D16 HOLE	1	FOR USA, CAN
37	316-821	D. C. WHEELS 115MM A36Q (25 PCS.)	1		
*	38	994-324	WHEEL NUT M14	1	
*	38	937-923P	WHEEL NUT 5/8"-11UNC	1	FOR USA, CAN
39	321-735	GEAR AND PINION ASS'Y	1	INCLUD. 6, 20	
40		HITACHI LABEL	1		
41	321-731	HOUSING	1		
42		NAME PLATE	1		

